



Making our world more productive

## REDLINE® cylinder regulators C 300/1. Single-stage regulator.



C 300/1 The image shows the product, fitted out with optional accessories

**Description** C 300/1 is a single stage cylinder regulator for specialty gases. A single stage regulator is used for applications when it is acceptable that the outlet pressure is increasing due to an decreasing inlet pressure of compressed gases. C 300/1 can be plain or equipped with a shut off valve (type A), a metering valve (type B) or with a upstream purge (type P). The C300 can be ordered as a 200 or 300 bar regulator.

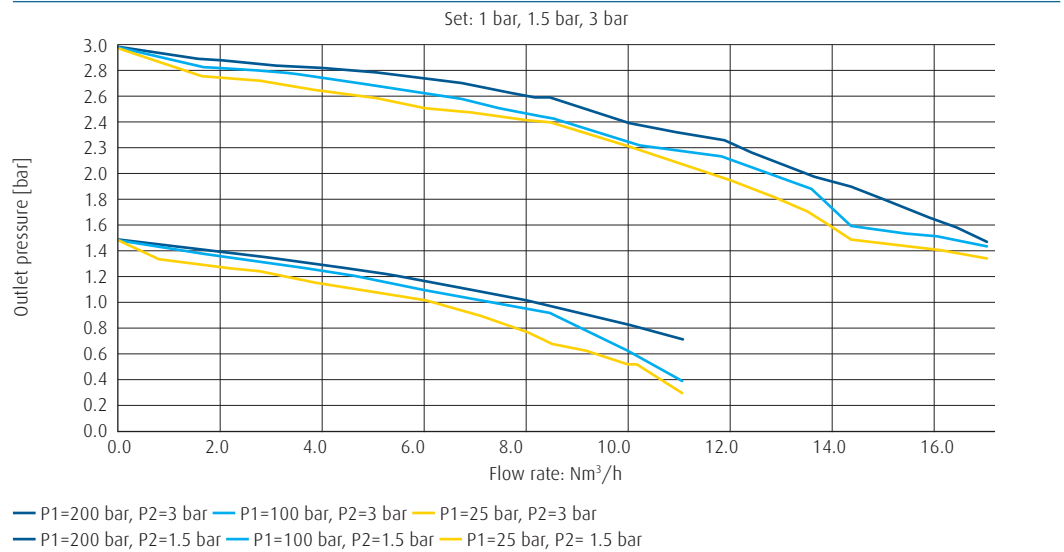
Product name	bar(g)	psi	HiQ® code (brass)	HiQ® code (stainless steel)
C 300/1	0.2-3	3-45	7100	7125
C 300/1	0.5-10	8-145	7101	7126
C 300/1	2.5-16	35-232	7102	7127
C 300/1	2.5-35	35-507	7103	7128
C 300/1	10-50	150-725	7104	7129
C 300/1 A	0.2-3	3-45	7105	7130
C 300/1 A	0.5-10	8-145	7106	7131
C 300/1 A	2.5-16	35-232	7107	7132
C 300/1 A	2.5-35	35-507	7108	7133
C 300/1 A	10-50	150-725	7109	7134
C 300/1 B	0.2-3	3-45	7110	7135
C 300/1 B	0.5-10	8-145	7111	7136
C 300/1 B	2.5-16	35-232	7112	7137
C 300/1 B	2.5-35	35-507	7113	7138
C 300/1 B	10-50	150-725	7114	7139
C 300/1 P	0.2-3	3-45	7115	7140
C 300/1 P	0.5-10	8-145	7116	7141
C 300/1 P	2.5-16	35-232	7117	7142
C 300/1 P	2.5-35	35-507	7118	7143
C 300/1 P	10-50	150-725	7119	7144
C 200/1*	10-200	150-3000	4454	4458
C 200/1 A*	10-200	150-3000	3103	3115



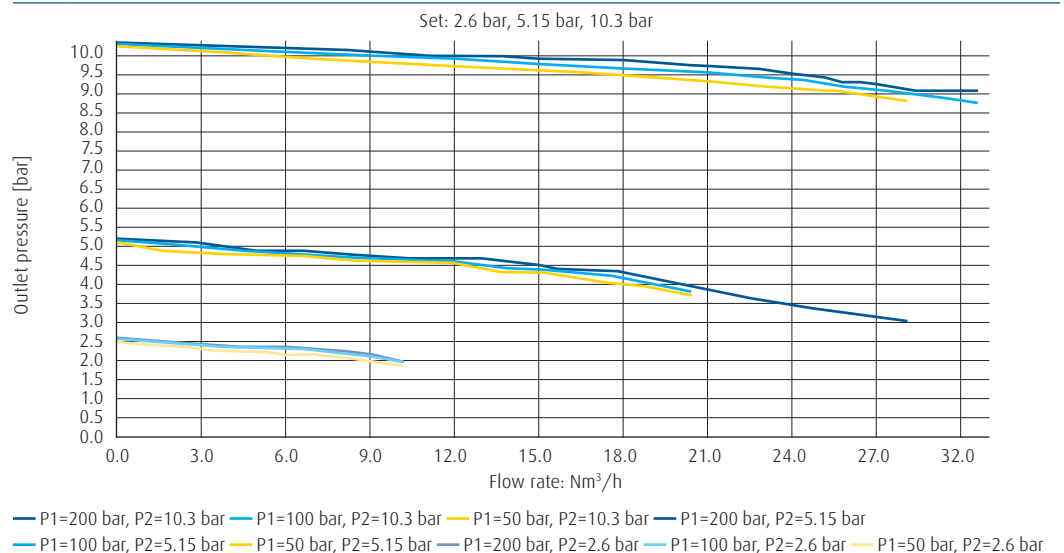
Technical data

Max primary pressure	300 bar	4351 psi
Outlet pressure	0.2-3 bar	3-45 psi
	0.5-10 bar	8-145 psi
	2.5-16 bar	35-232 psi
	2.5-35 bar	35-507 psi
	10-50 bar	150-725psi
Outlet gauge range	-1-5 bar	-14.5-75 psi
	-1-15 bar	-14.5-217 psi
	0-25 bar	0-362 psi
	0-60 bar	0-870 psi
	0-100 bar	0-1450 psi
Stability	When the inlet pressure drops by 10 bar (145 psi), the outlet pressure rises by less than 0.15 bar	
Connection	Out = 6mm compression fitting (others on option)	
Operating temperature	-20-+70 °C	-4-+158 °F
Weight	1 kg	2.21 lb
Material:		
- Housing	Brass/Ni/Cr plated	Stainless steel 316L
- Seals	FKM	FKM
- Membrane (diaphragm)	Stainless Steel	Hastelloy®
- Seat Seal	PCTFE	PCTFE

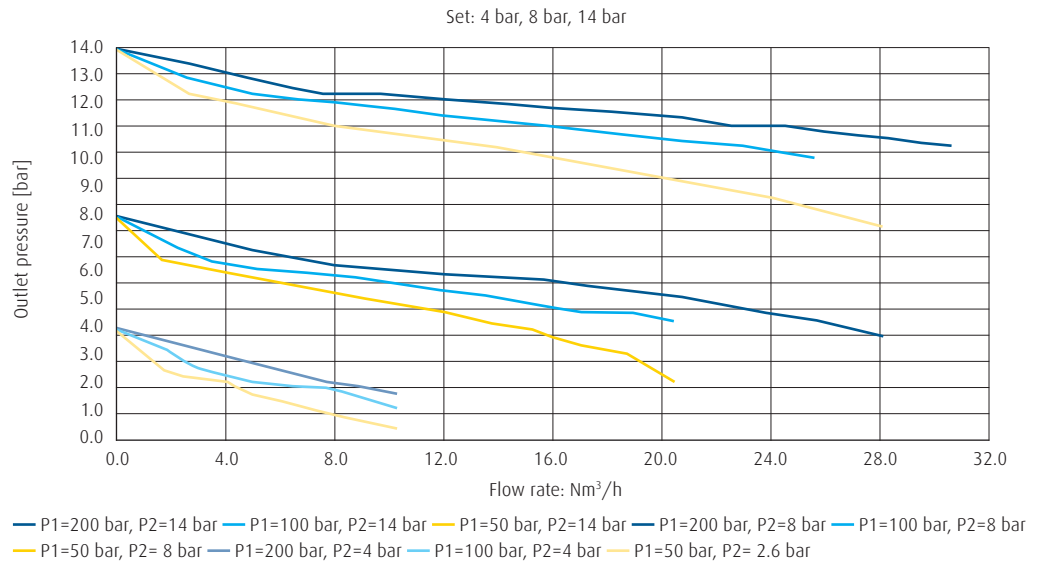
Flow curves C 300/1-3 bar



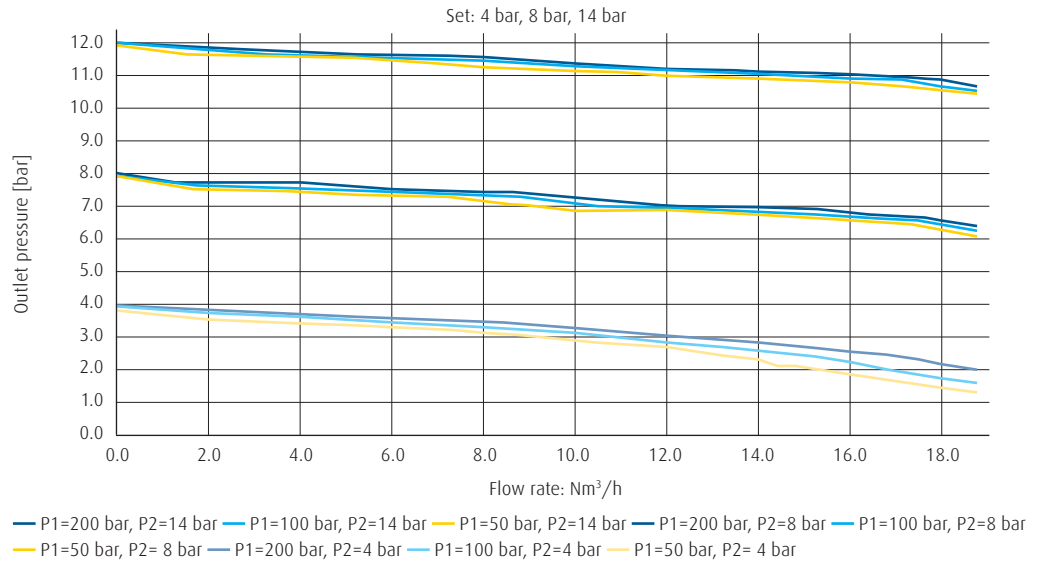
C 300/1-10 bar



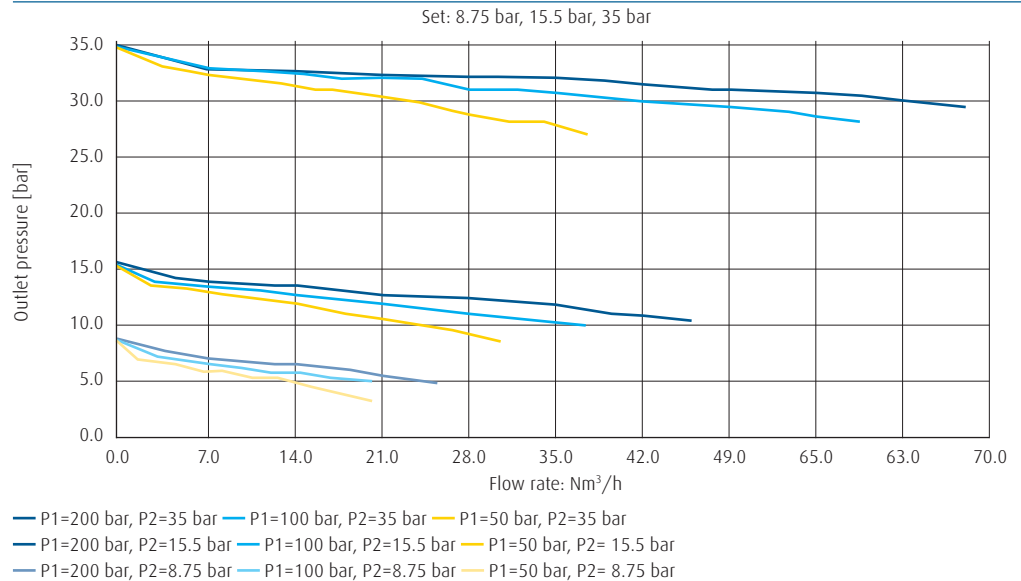
Flow curves **C 300/1-14 bar**



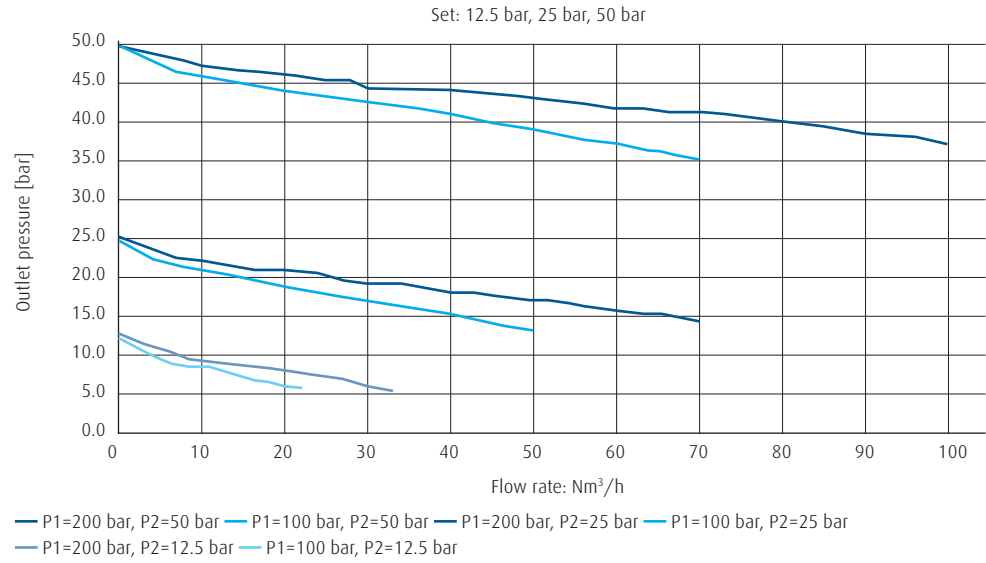
**C 300/1-16 bar**



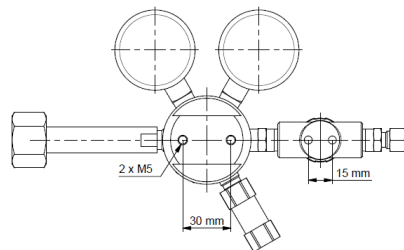
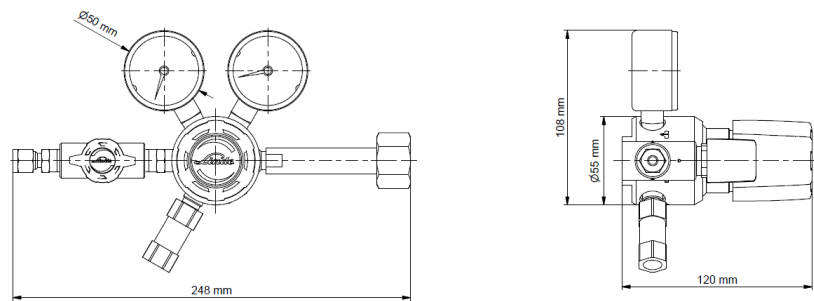
**C 300/1-35 bar**



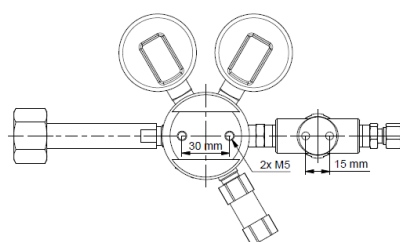
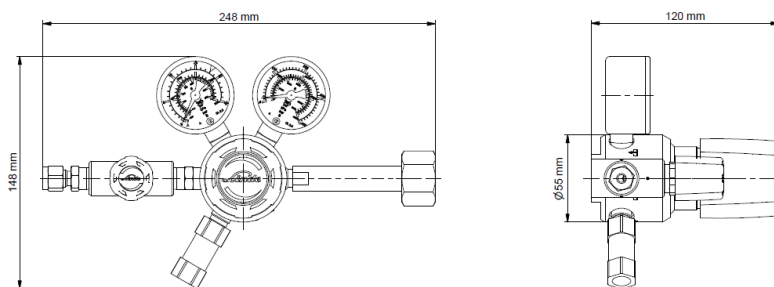
Flow curves **C 300/1-50 bar**



Drawings

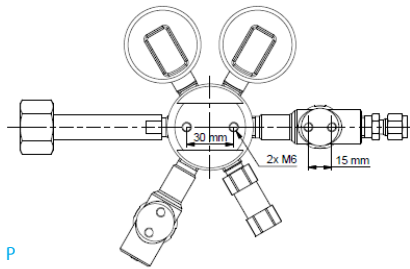
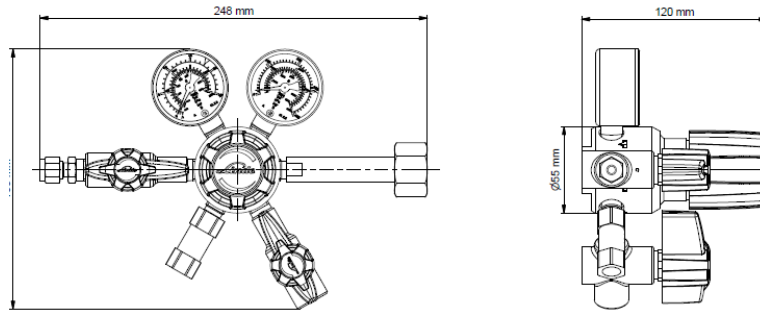


**C 300/1 A**



**C 300/1 B**

Drawings



C 300/1 P

Linde Gas

[www.linde-gas.dk](http://www.linde-gas.dk), [www.linde-gas.ee](http://www.linde-gas.ee), [www.linde-gas.fi](http://www.linde-gas.fi), [www.linde-gas.is](http://www.linde-gas.is), [www.linde-gas.lt](http://www.linde-gas.lt),  
[www.linde-gas.lv](http://www.linde-gas.lv), [www.linde-gas.no](http://www.linde-gas.no), [www.linde-gas.se](http://www.linde-gas.se)

HIQ® and REDLINE® are EU-registered trademarks of Linde plc and its affiliates.